

## Cam action indexing plungers with 180° limit stop, with locking function

### SPECIFICATION

#### Types

- Type **RA**: Right-hand lock
- Type **RB**: Right-hand lock, with plastic cover
- Type **RAK**: Right-hand lock, with lock nut
- Type **RBK**: Right-hand lock, with plastic cover, with lock nut
- Type **LA**: Left-hand lock
- Type **LB**: Left-hand lock, with plastic cover
- Type **LAK**: Left-hand lock, with lock nut
- Type **LBK**: Left-hand lock, with plastic cover, with lock nut

#### Steel

- blackened
- Plunger nitrided

#### Spring

Stainless Steel AISI 301

#### Plastic cover

Technopolymer (Polyamide PA)  
black, matte



### INFORMATION

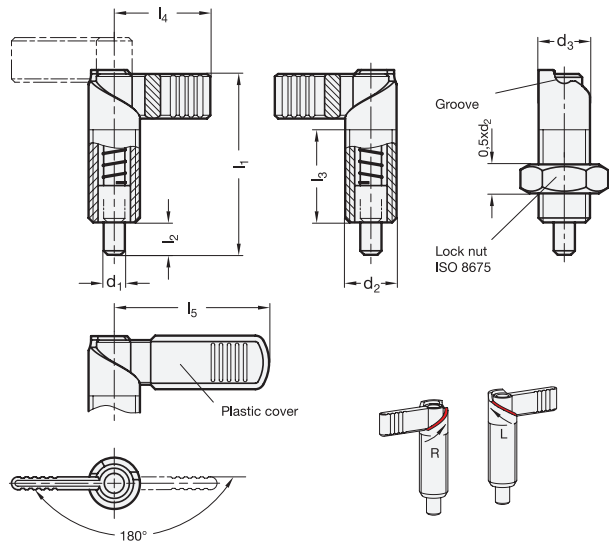
The groove on GN 721.1 cam action indexing plungers ensures that the locking pin remains in its withdrawn position.

When the cam action indexing plungers are positioned symmetrically, the left or right handed types allow for a practical, i.e. equal, direction setting of the lock.

- Range of cam action indexing plungers (see page 816)

### TECHNICAL INFORMATION

- ISO-Fundamental tolerances (see page A21)
- Load rating information (see page A42)



\* Complete with type index of the Cam action indexing plungers

**RA RB RAK RBK LA LB LAK LBK**

### GN 721.1

Description	d1 Pin -0.02/-0.04 Bore H7	d2	d3	l1	l2	l3 +1.5	l4	l5	Spring load in N ≈ initial	Spring load in N ≈ end	
GN 721.1-5-M10x1-*	5**	M10x1	10	37.5	6	19	21	-	7	20	18
GN 721.1-6-M12x1,5-*	6	M12x1.5	12	47	8	26	26	32	9	21	31
GN 721.1-8-M16x1,5-*	8	M16x1.5	16	56	10	30	32	42	12	32	66
GN 721.1-10-M20x1,5-*	10	M20x1.5	20	69	12	37	37	52	21	58	129

\*\* This size is only available in types LA, LAK, RA and RAK.